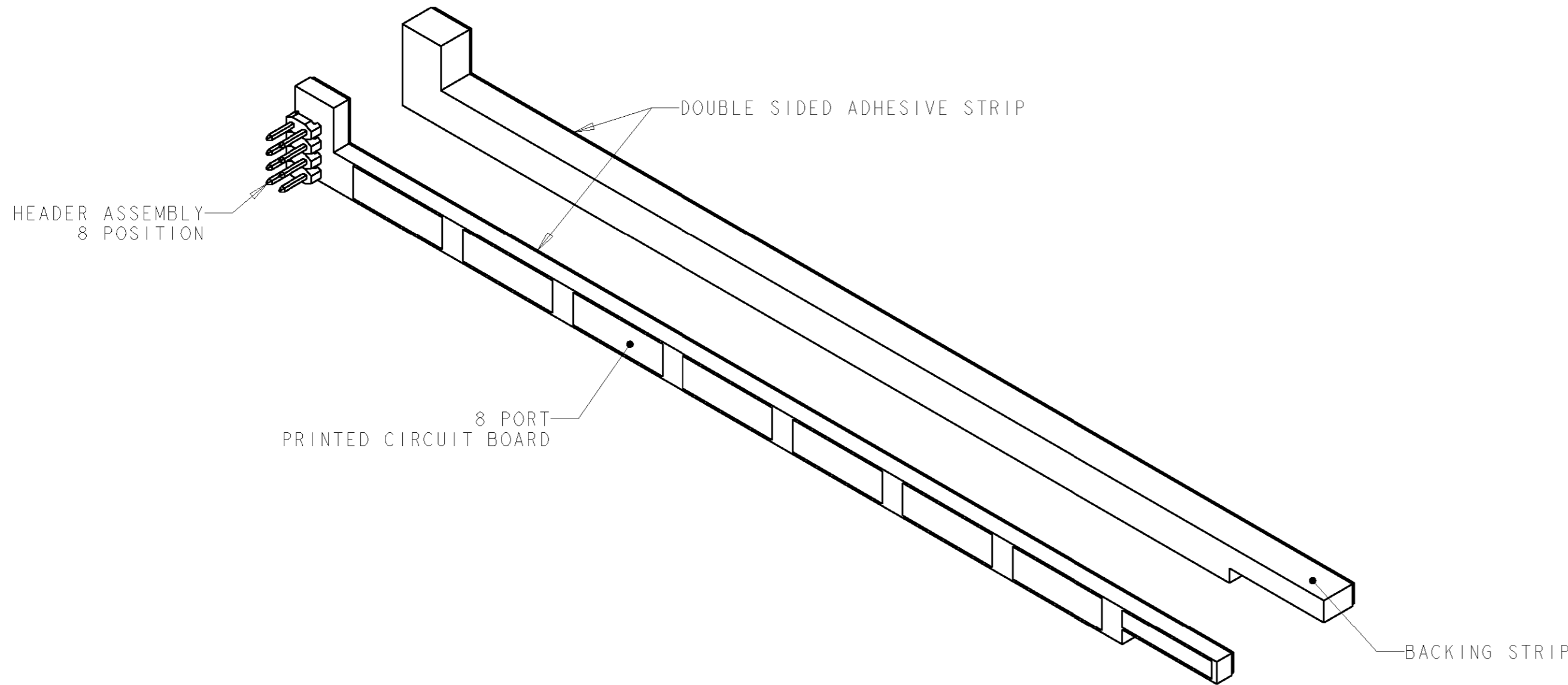
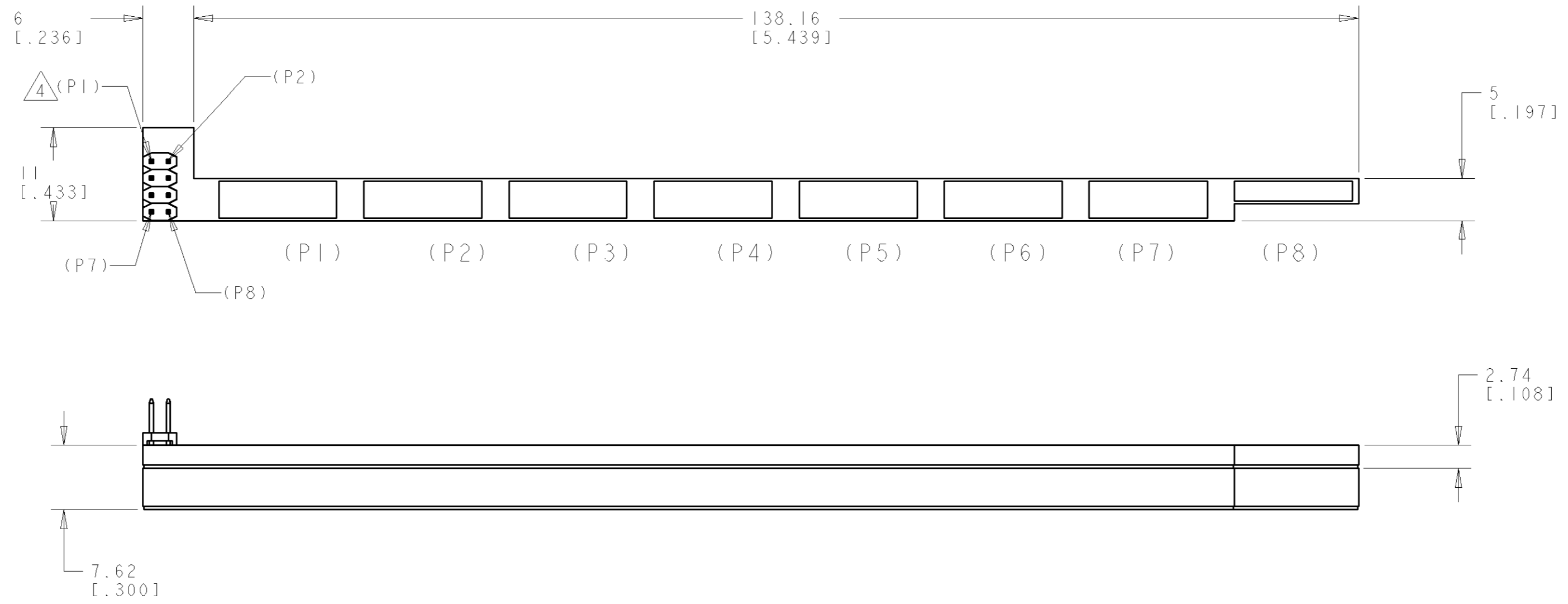


THIS DRAWING IS UNPUBLISHED. RELEASED FOR PUBLICATION 20  
 © COPYRIGHT 20 BY TYCO ELECTRONICS CORPORATION. ALL RIGHTS RESERVED.

LOC	DIST	REVISIONS					
HM	00	P	LTR	DESCRIPTION	DATE	DWN	APVD
		A		RLSD; NPR NSD07-054	05JUN2007	GG	SH



- 1 MATERIAL:  
 PRINTED CIRCUIT BOARD - LAMINATED PLASTIC FR-4, 2.36 [.093] THICK.  
 ADHESIVE TAPE - MYLAR, 0.25 [.010] THICK.  
 BACKING STRIP ASSEMBLY - POLYCARBONATE WITH MYLAR, 4.86 [.191] THICK.  
 HOUSING - THERMOPLASTIC, UL94V-0, BLACK.  
 CONTACTS - COPPER ALLOY.
- 2 ALL DIMENSIONS SHOWN ARE NOMINAL.
- 3 PARENTHESIS ( ) ARE FOR REFERENCE ONLY. NOT SHOWN ON BOARD.
- 4 (P\_) CALLOUTS ARE FOR PIN TO PAD REFERENCE ONLY.



1933358-1  
 PART NUMBER

THIS DRAWING IS A CONTROLLED DOCUMENT FOR TYCO ELECTRONICS CORPORATION. IT IS SUBJECT TO CHANGE AND THE CONTROLLING ENGINEERING ORGANIZATION SHOULD BE CONTACTED FOR THE LATEST REVISION.		DWN G. GARRETT 05JUN07	Tyco Electronics Harrisburg, PA 17105-3608
DIMENSIONS: MM [INCHES]		CHK S. HERNDON 05JUN07	
TOLERANCES UNLESS OTHERWISE SPECIFIED:		APVD S. HERNDON 05JUN07	
0 PLC ± 1 PLC ± 2 PLC ± 3 PLC ± 4 PLC ± ANGLES ± FINISH ±		PRODUCT SPEC -	
MATERIAL 1 -		APPLICATION SPEC -	NAME ASSEMBLY, AMPTRAC SENSOR STRIP, 8 PORT
		WEIGHT -	SIZE A2
		CUSTOMER DRAWING	CAGE CODE 00779
			DRAWING NO. 1933358
			RESTRICTED TO -
			SCALE 2:1 SHEET 1 OF 1 REV A